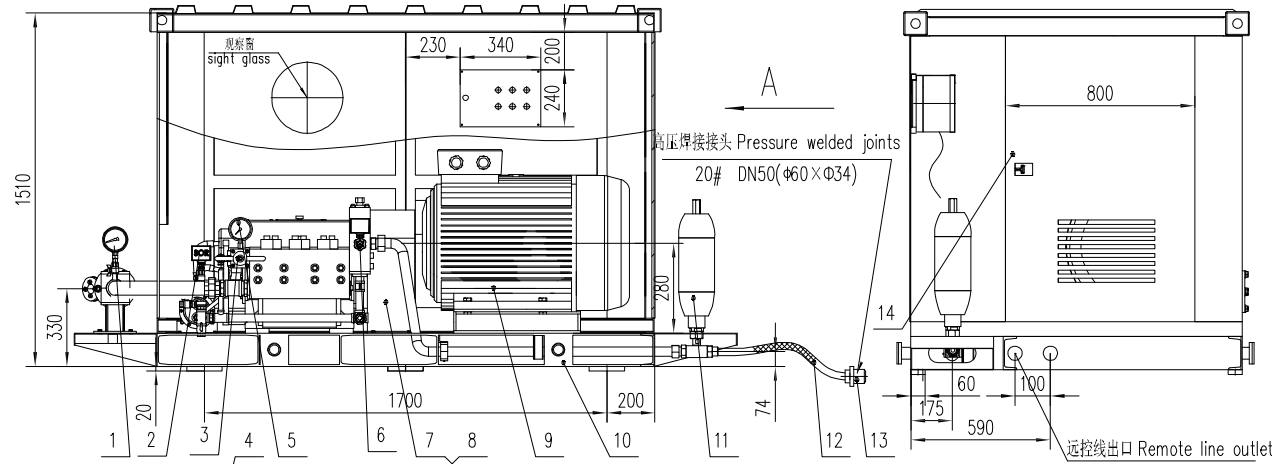


### 技术要求

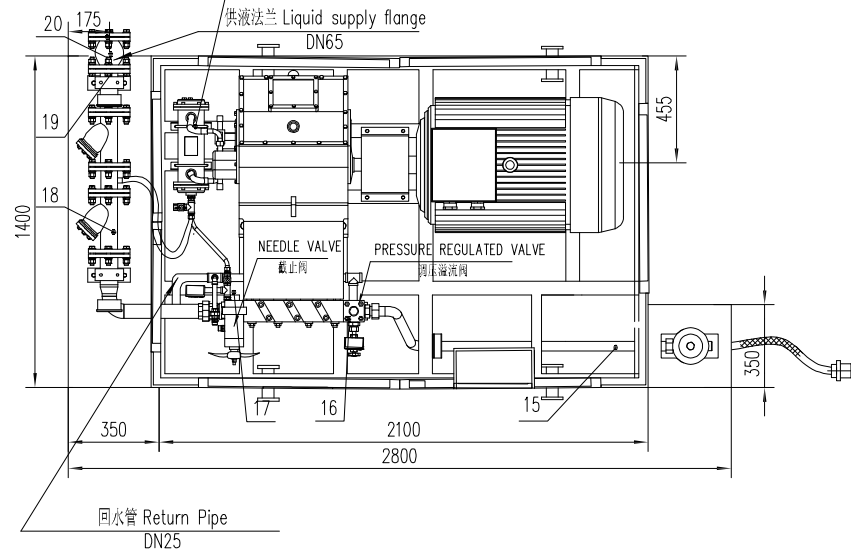
1. 进水压力3-8bar, 进水流量400L/min-600L/min,
2. 电源供电电压400V, 功率90KW,
3. 电动卸荷阀电压220V AC,

Technical requirements of

1. Inlet pressure 3-8bar, inlet flow rate 400L/min-600L/min,
2. Power supply voltage 400V, power 90KW,
3. Electric straight ball valve voltage 230V AC,



Section A  
A 向



★注: 此图用于 DUYEN HAI 1 THERMAL POWER PLANT PROJECT 一号机组

★此图为天津市通洁高压泵制造有限公司向豪顿华工程有限公司提供的图纸。

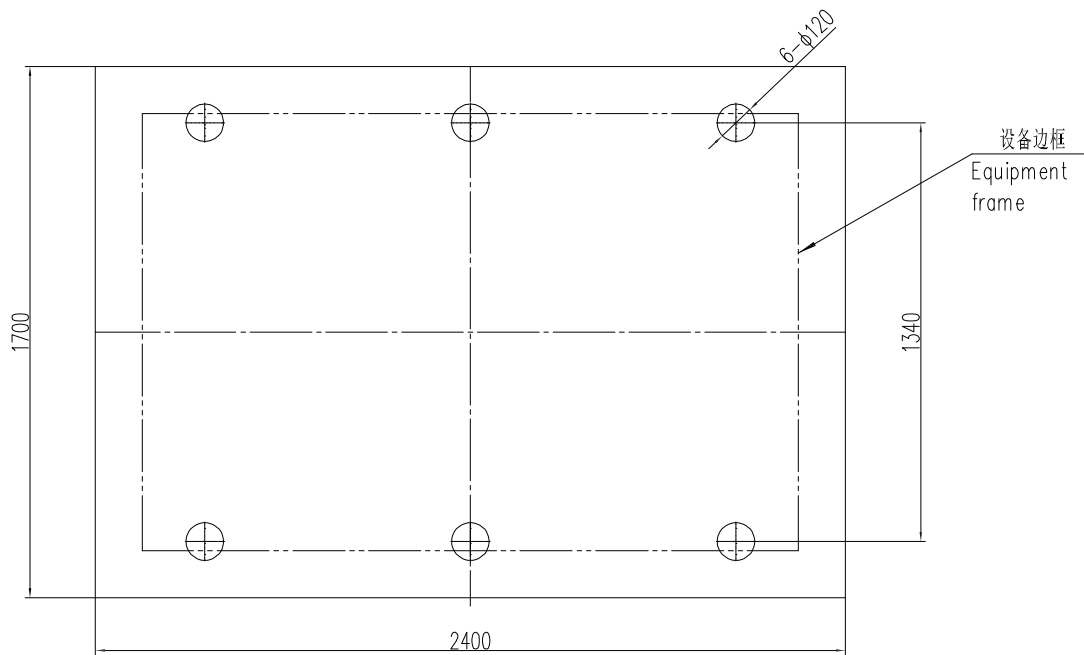
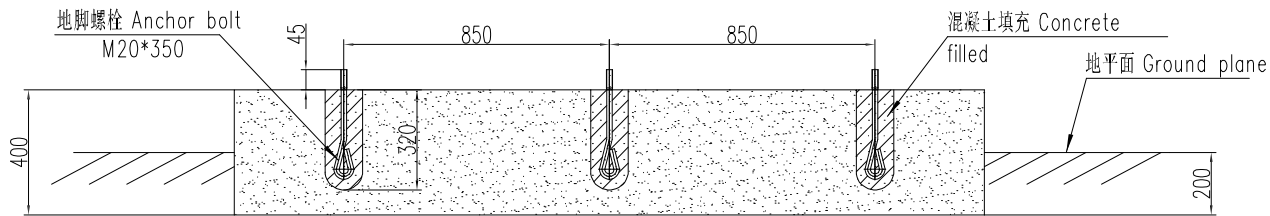
★This drawing is offered to Howden Hua Engineering Co.,Ltd. provided by Tianjin Tongjie High Pressure Pump Manufacturing Co.,Ltd

将气动阀改成电动阀  
回水管接入泵进水

20	DN65 PN1.0	配对法兰 Mating flange	1	JB/T 81-1994	11	NXQ-A-4-31.5-L	蓄能器 Accumulator	1	
19	DN65(2.5")	避震喉 Suspension of larynx	1		10		底座 Base	1	
18	TA1.0	过滤器组合 Combined filter	1	60目 120目 60 Mesh and 120 Mesh	9	Y2-280M-4-90	电机90KW Motor 90kW	1	
17	TYD.0	单向溢流阀 A one-way valve	1		8	TJ02A-34(A)	防护罩 Protection cover	1	
16	DN25 M39*2A	高压胶管 High pressure hose	1	L=1600	7	GJ.2.00	联轴器总成 Coupling assembly	1	
15	DN25 M39*2A	高压胶管 High pressure hose	1	L=2000	6	80bar	出水压力变送器 Water pressure sensor	1	
14	DN50(φ60×φ34)	焊接接头 Welded joint	1	20#	5	0-40MPa	防震压力表 Pressure gauge	1	
13	DN25 M39*2A	高压胶管 High pressure hose	1	L=2000	4	GLC1-0.8	列管式油冷却器 Tubular oil cooler	1	
12	DN25 M39*2A	高压胶管 High pressure hose	1	L=2000	3	设定1.5bar	调压截止阀 Pressure regulating valve	1	F/M
11	DN25 M39*2A	高压胶管 High pressure hose	1	L=2000	2	213.53.063	供水压力变送器 Water pressure sensor	1	
10	DN25 M39*2A	高压胶管 High pressure hose	1	L=2000	1	213.53.063	供水压力表 Pressure gauge	2	

CONTRACTOR		DONGFANG ELECTRIC CORPORATION LIMITED	
SUBCONTRACTOR		GUANGDONG ELECTRIC POWER DESIGN INSTITUTE	
CUSTOMER		ALSTOM ALSTOM TECHNICAL SERVICES (SHANGHAI) CO., LTD	
DEC Ref. No.			
GEDI Ref. No.			
ALSTOM Ref. No.		E08531-0-SW22030-41-MEASS-0001-01	
PROJECT:		DUYEN HAI 1 THERMAL POWER PLANT PROJECT	
CONTRACT NO.:		DH1-30032010	
SUPPLIER:		HOWDEN HUA ENGINEERING CO., LTD.	
SCALE:		1:1	
WBS NUMBER:		2290	
ALSTOM PROJECT NUMBER:		EWS31	
DRAWN		DESIGN	
CHECKED		APPROVED	
BY	DATE	DATE	DATE
UNB	20121023	LIG	20121024
		LIG	20121024
DWG. NO.		C007525-SUB028-1	
REV.		01	





技术要求

1. 设备静载荷 2.5吨
2. 设备动载荷约为 3吨
3. 水泥地基平面度 $\leq 2\text{mm}$

Technical requirements of

1. Static load 2.5 tons of equipment
2. Equipment dynamic load is 3 tons about
3. Concrete foundation flatness $\leq 2\text{mm}$

注：全套地脚螺栓和垫片等用于和基础连接，由天津通洁高压泵制造有限公司随机组一起供货。

Note: the whole set of anchor bolt and gasket for connecting and foundation, by Tianjin Tongjie high pressure pump manufacturing Co., Ltd. random group supply together.

★此图为天津市通洁高压泵制造有限公司向豪顿华工程有限公司提供的图纸。

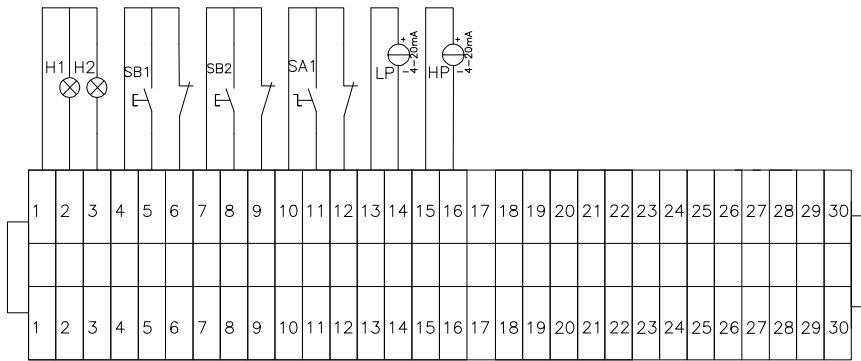
★This drawing is offered to Howden Hua Engineering Co.,Ltd. provided by Tianjin Tongjie High Pressure Pump Manufacturing Co.,Ltd

CONTRACTOR	DONGFANG ELECTRIC CORPORATION LIMITED		
SUBCONTRACTOR	GUANGDONG ELECTRIC POWER DESIGN INSTITUTE		
CUSTOMER	ALSTOM TECHNICAL SERVICES (SHANGHAI) CO., LTD		
DEC Ref. No.			
GEDI Ref. No.			
ALSTOM Ref. No.	E08531-0-SW22030-41-MEASS-0001-03		
PROJECT:	DUYEN HAI I THERMAL POWER PLANT PROJECT		CONTRACT NO: DH1-30032010
SUPPLIER	HOWDEN HUA ENGINEERING CO., LTD.		
SCALE:	1:1		
WBS NUMBER:	2290		
ALSTOM PROJECT NUMBER:	E08531		
DRAWN	DESIGN	CHECKED	APPROVED
BY: lls	DES: JWC	CHK: JWC	APP: JWC
DATE: 2017/10/23	2017/10/23	2017/10/24	2017/10/24
DWG. NO. C007525-SUB029			REV. 00

REV.	DESCRIPTION	PRE	CHK	APPR	DATE

High pressure pump Foundation drawing  
高压水泵地基图

GGH SIZE: 32.5GVN400



序号	名称	编号	规格型号	单位	数量	额定值
8						
7	高压传感器	HP	0-400bar	只	1	DC24V
6	低压传感器	LP	0-10bar	只	1	DC24V
5	远程/本地	SA1	XB2BD25C	只	2	DC24V
4	停止按钮	SB2	XB2BW34B5C	只	1	DC24V
3	启动按钮	SB1	XB2BW33B5C	只	1	DC24V
2	停止指示灯	H2	24V 0.5 红色	只	1	DC24V
1	启动指示灯	H1	24V 0.5 绿色	只	1	DC24V

No.	Name	Number	Specifications	Unit	QTY	Rated Value
8						
7	Hp transmitter	HP	0-400bar	Pcs	1	DC24V
6	Lp transmitter	LP	0-10bar	Pcs	1	DC24V
5	Remote Local	SA1	XB2BD25C	Pcs	2	DC24V
4	Stop button	SB2	XB2BW34B5C	Pcs	1	DC24V
3	Start button	SB1	XB2BW33B5C	Pcs	1	DC24V
2	Stop indicator light	H2	24V 0.5 red	Pcs	1	DC24V
1	Star indicator light	H1	24V 0.5 green	Pcs	1	DC24V

★此图为天津市通洁高压泵制造有限公司向豪顿华工程有限公司提供的图纸。  
 ★This drawing is offered to Howden Hua Engineering Co.,Ltd. provided by Tianjin Tongjie High Pressure Pump Manufacturing Co.,Ltd

CONTRACTOR	DONGFANG ELECTRIC CORPORATION LIMITED						
SUBCONTRACTOR	GUANGDONG ELECTRIC POWER DESIGN INSTITUTE						
CUSTOMER	ALSTOM TECHNICAL SERVICES (SHANGHAI) CO., LTD						
DEC Ref. No.							
GEDI Ref. No.							
ALSTOM Ref. No.	E08531-0-SW22030-35-ELDIA-0021						
PROJECT:	DUYEN HAI I THERMAL POWER PLANT PROJECT	CONTRACT NO: DH1-30032010					
SUPPLIER	HOWDEN HUA ENGINEERING CO., LTD.						
SCALE:	1:1	High pressure pump Terminal diagram					
WBS NUMBER:	22930	高压水泵接线端子图					
ALSTOM PROJECT NUMBER:	E08531	GGH SIZE:-32.50x400					
DRAWN	DESIGN	CHECKED					
BY	DATE	DATE					
REV.	DESCRIPTION	PRE	CHK	APPR	DATE	DWG. NO.	REV.
						C007525-SUB030	01